

Specifications:

- Capacity (Ah): 3.4 Ah
(3400mAh)
- Nominal Voltage (V): 3.6V - 3.7V
- Charging Voltage (V): 4.2 V
- Energy (Wh): 12.2 Wh
- Energy Density (Wh/L): 730 Wh/L
- Weight (g): 46 g /1.62 oz
- Diameter (mm): 18.6 mm (+/- 0.03)
- Height (mm): 68.9 mm (+/- 0.03)
- Max. Discharge rate: 2C (6.8A)
- Pulse current (5-6 sec.): 10A
- Chemical Composition: Li-ion (Lithium-Ion) Hybrid
- Cell model - Panasonic NCR18650B
- Bare Cell - Made by Panasonic
- Made in Japan

MIL-STD-810G Compliant Li-Ion Rechargeable BPS applications:

- Electric vehicles - HEV, P-HEV, EV
- Laptops, smart-phones, E-cigarettes, vaporizers, & MODs
- Power Tools, Cordless Tools, Gardening tools
- Digital cameras, games, MP3 players
- Shavers, toothbrushes
- Energy storage both commercial and home
- Flashlights, RC cars, UAVs, drones, Quad-Copters
- Industrial, Medical applications and more...

✓ For Custom Designed Li-ion Battery Power Packs based on Panasonic 18650B proven reliable Gold Standard Li-ion cells, please write us at info@iL3Vision.com

✓ Custom Power Packs for ground or airborne or any other applications can be custom designed & manufactured to your requirements very cost effectively on expedited basis if so required.

✓ SMART iHUMMR UC20M Multi-Bay Charger available

SPEC-CONTROLLED DRAWING (SCD)

DOD-CONFIDENTIAL

ALL INFORMATION, INCLUDING DESIGNS AND CONCEPTS SHOWN ON THIS DOCUMENT ARE CONFIDENTIAL & PROPRIETARY. THIS DOCUMENT IS MADE AVAILABLE ONLY WITH THE EXPRESS UNDERSTANDING AND AGREEMENT THAT NO PART OF IT SHALL BE REPRODUCED, COPIED OR DUPLICATED IN ANY MANNER. THE RECIPIENT AGREES BY ACCEPTING THIS DOCUMENT NOT TO SUPPLY OR DISCLOSE ANY INFORMATION REGARDING IT TO ANY UNAUTHORIZED PERSON(S). UPON REQUEST, THIS DOCUMENT WILL BE RETURNED PROMPTLY TO iL3 Vision, INC, Laguna Hills, California.

	REVISIONS	UNLESS OTHERWISE SPECIFIED, ALL DIM. ARE IN INCHES AND METRIC IN () AND APPLY BEFORE ADDITIVE FINISH.		<p>iL3 Vision Laguna Hills, California</p> <p>PART NO. iL3180711-RBPS18650M-1</p> <p>DESCRIPTION: MIL Li-ion Rechargeable Battery Pack RBPS18650M</p> <p>USED ON:</p> <table border="1" style="width: 100%; font-size: x-small;"> <tr> <td style="width: 15%;">SIZE</td> <td style="width: 25%;">FSCM NO.</td> <td style="width: 25%;">DWG NO. iL3180711</td> <td style="width: 35%;">REV -</td> </tr> <tr> <td colspan="2">SCALE</td> <td colspan="2">SHEET 1 OF 4</td> </tr> </table>	SIZE	FSCM NO.	DWG NO. iL3180711	REV -	SCALE		SHEET 1 OF 4	
SIZE	FSCM NO.	DWG NO. iL3180711	REV -									
SCALE		SHEET 1 OF 4										
-	RELEASE	XX±.015 XXX±.005 ANGLES±1/2										
		BREAK ALL SHARP EDGES DIA'S CONCENTRIC WITHIN										
		T.I.R.										
		DRG BY:	DATE:									
		CHECKED BY:	DATE									

Specifications (Continued):

Features & Benefits

- High energy density
- Long stable power and long run time
- Ideal for Custom EV Packs, Notebook PCs, portable devices, UAV, Medical, Industrial and other applications.

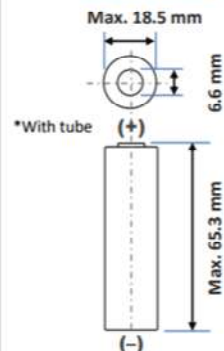
* At temperatures below 10°C, charge at a 0.25C rate.

Specifications

Rated capacity ⁽¹⁾	Min. 3200mAh
Capacity ⁽²⁾	Min. 3250mAh Typ. 3350mAh
Nominal voltage	3.6V
Charging	CC-CV, Std. 1625mA, 4.20V, 4.0 hrs
Weight (max.)	48.5 g
Temperature	Charge*: 0 to +45°C Discharge: -20 to +60°C Storage: -20 to +50°C
Energy density ⁽³⁾	Volumetric: 676 Wh/l Gravimetric: 243 Wh/kg

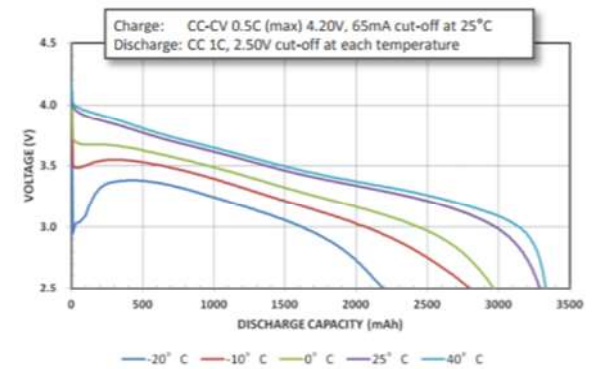
⁽¹⁾ At 20°C ⁽²⁾ At 25°C ⁽³⁾ Energy density based on bare cell dimensions

Dimensions

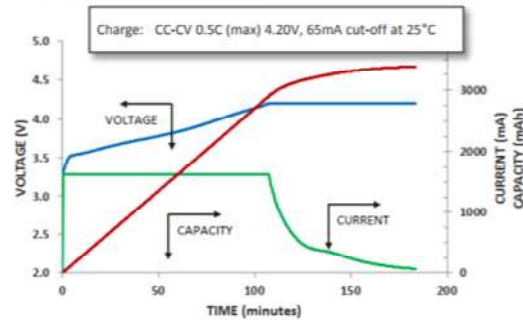


For Reference Only

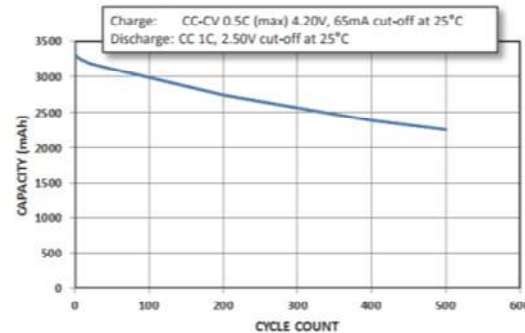
Discharge Characteristics (by temperature)



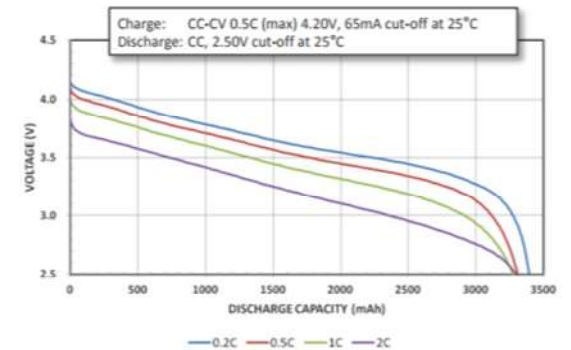
Charge Characteristics



Cycle Life Characteristics



Discharge Characteristics (by rate of discharge)



SPEC-CONTROLLED DRAWING (SCD)

DOD-CONFIDENTIAL

ALL INFORMATION, INCLUDING DESIGNS AND CONCEPTS SHOWN ON THIS DOCUMENT ARE CONFIDENTIAL & PROPRIETARY. THIS DOCUMENT IS MADE AVAILABLE ONLY WITH THE EXPRESS UNDERSTANDING AND AGREEMENT THAT NO PART OF IT SHALL BE REPRODUCED, COPIED OR DUPLICATED IN ANY MANNER. THE RECIPIENT AGREES BY ACCEPTING THIS DOCUMENT NOT TO SUPPLY OR DISCLOSE ANY INFORMATION REGARDING IT TO ANY UNAUTHORIZED PERSON(S). UPON REQUEST, THIS DOCUMENT WILL BE RETURNED PROMPTLY TO iL3 Vision, INC, Laguna Hills, California.

REVISIONS	UNLESS OTHERWISE SPECIFIED, ALL DIM. ARE IN INCHES AND METRIC IN () AND APPLY BEFORE ADDITIVE FINISH.		
- RELEASE	XX±.015 XXX±.005 ANGLES±1/2		
	BREAK ALL SHARP EDGES DIA'S CONCENTRIC WITHIN		
	T.I.R.		
	DRG BY:	DATE:	
	CHECKED BY:	DATE:	
	SCALE	FSCM NO.	DWG NO. iL3180711
	SHEET 2 OF 4	REV -	

iL3 Vision

Laguna Hills, California

PART NO.

iL3180711-RBPS18650M-1

DESCRIPTION:

MIL Li-ion Rechargeable Battery Pack RBPS18650M

USED ON:

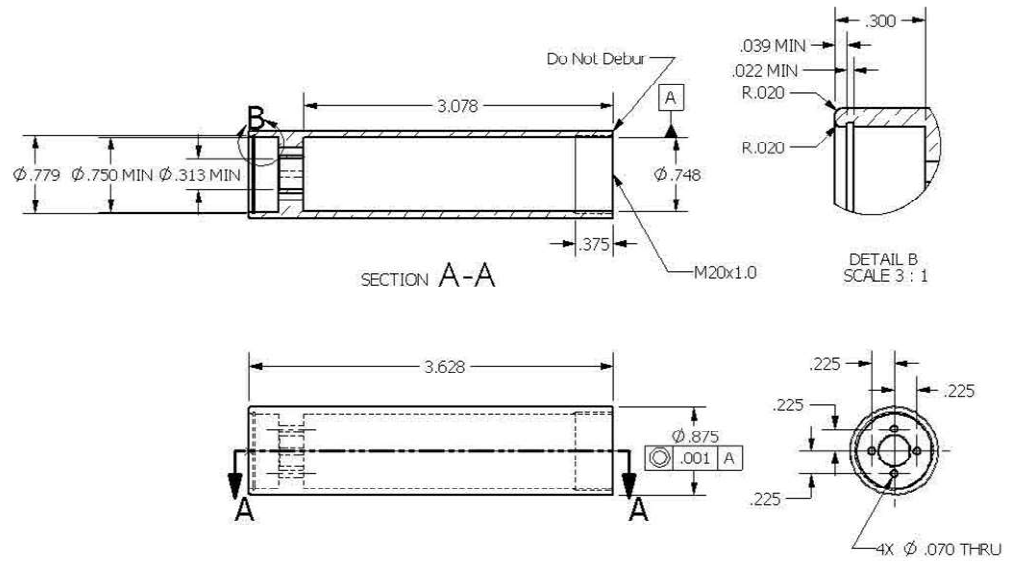
Specifications (Continued):



NCR 18650B
3400mAh

BPS18650M-1

Part No. iL3180711-RBPS18650M-1



Body Tube Material Copper C11000

1. Environmental Specifications and Test Standards of MIL-STD-810 as applicable to Li-ion Rechargeable Battery Pack Systems.
2. For other applicable military specifications, please refer to sheet 4 of 4 of this document SCD

SPEC-CONTROLLED DRAWING (SCD)

DOD-CONFIDENTIAL
ALL INFORMATION, INCLUDING DESIGNS AND CONCEPTS SHOWN ON THIS DOCUMENT ARE CONFIDENTIAL & PROPRIETARY. THIS DOCUMENT IS MADE AVAILABLE ONLY WITH THE EXPRESS UNDERSTANDING AND AGREEMENT THAT NO PART OF IT SHALL BE REPRODUCED, COPIED OR DUPLICATED IN ANY MANNER. THE RECIPIENT AGREES BY ACCEPTING THIS DOCUMENT NOT TO SUPPLY OR DISCLOSE ANY INFORMATION REGARDING IT TO ANY UNAUTHORIZED PERSON(S). UPON REQUEST, THIS DOCUMENT WILL BE RETURNED PROMPTLY TO iL3 Vision, INC, Laguna Hills, California.

REVISIONS	UNLESS OTHERWISE SPECIFIED, ALL DIM. ARE IN INCHES AND METRIC IN () AND APPLY BEFORE ADDITIVE FINISH.			iL3 Vision Laguna Hills, California
- RELEASE	XX±.015 XXX±.005 ANGLES±1/2			
	BREAK ALL SHARP EDGES DIA'S CONCENTRIC WITHIN			PART NO. iL3180711-RBPS18650M-1
	T.I.R.			DESCRIPTION: MIL Li-ion Rechargeable Battery Pack RBPS18650M
	DRG BY:	DATE:		USED ON:
	CHECKED BY:	DATE		SIZE
				FSCM NO.
				DWG NO. iL3180711
				REV -
				SCALE
				SHEET 3 OF 4

General Notes & Specifications :

1. Environmental Specifications and Test Standards such as salt & fog, sand & dust, hot & cold etc. of MIL-STD-810G as applicable to Li-ion Rechargeable Battery Pack Systems.
2. Performance requirements for rechargeable batteries for military equipment applications IAW specification MIL-PRF-32383.
3. Airborne to 60,000ft altitude IAW MIL-STD-29595 as applicable
4. Battery case and color coding IAW FED-STD-595
5. Identification and battery marking IAW Specification MIL-STD-130, MIL-STD-105 and MIL-PRF-32143A as applicable.
6. For insulation resistance IAW MIL-STD-202, Method 302 as applicable.
7. Water immersion test IAW ASTM d-1141 as applicable in the contract.
8. EMI/EMC IAW MIL-STD-464B as applicable in the contract.
9. Other applicable specifications DOD-STD-1000, MIL-I-45208, MIL-STD-883C, MIL-STD-45662, MIL-STD-129, MIL-STD-130, MIL-STD-105, MIL-STD-454, MIL-STD-595, and other applicable specifications as required by contract.
10. Customized battery packs for various applications are available upon request in accordance with your requirements and drawings

**SPEC-CONTROLLED
DRAWING (SCD)**

DOD-CONFIDENTIAL

ALL INFORMATION, INCLUDING DESIGNS AND CONCEPTS SHOWN ON THIS DOCUMENT ARE CONFIDENTIAL & PROPRIETARY. THIS DOCUMENT IS MADE AVAILABLE ONLY WITH THE EXPRESS UNDERSTANDING AND AGREEMENT THAT NO PART OF IT SHALL BE REPRODUCED, COPIED OR DUPLICATED IN ANY MANNER. THE RECIPIENT AGREES BY ACCEPTING THIS DOCUMENT NOT TO SUPPLY OR DISCLOSE ANY INFORMATION REGARDING IT TO ANY UNAUTHORIZED PERSON(S). UPON REQUEST, THIS DOCUMENT WILL BE RETURNED PROMPTLY TO iL3 Vision, INC, Laguna Hills, California.

	REVISIONS	UNLESS OTHERWISE SPECIFIED, ALL DIM. ARE IN INCHES AND METRIC IN () AND APPLY BEFORE ADDITIVE FINISH.		iL3 Vision Laguna Hills, California			
-	RELEASE	XX±.015 XXX±.005 ANGLES±1/2		PART NO. iL3180711-RBPS18650M-1			
		BREAK ALL SHARP EDGES DIA'S CONCENTRIC WITHIN		DESCRIPTION: MIL Li-ion Rechargeable Battery Pack RBPS18650M			
R		T.I.R.		USED ON:			
		DRG BY:	DATE:	SIZE	FSCM NO.	DWG NO. iL3180711	REV -
		CHECKED BY:	DATE	SCALE		SHEET 4 OF 4	

SPEC-CONTROLLED DRAWING (SCD)

ALL INFORMATION, INCLUDING DESIGNS AND CONCEPTS SHOWN ON THIS DOCUMENT ARE CONFIDENTIAL & PROPRIETARY. THIS DOCUMENT IS MADE AVAILABLE ONLY WITH THE EXPRESS UNDERSTANDING AND AGREEMENT THAT NO PART OF IT SHALL BE REPRODUCED, COPIED OR DUPLICATED IN ANY MANNER. THE RECIPIENT AGREES BY ACCEPTING THIS DOCUMENT NOT TO SUPPLY OR DISCLOSE ANY INFORMATION REGARDING IT TO ANY UNAUTHORIZED PERSON(S). UPON REQUEST, THIS DOCUMENT WILL BE RETURNED PROMPTLY TO iL3 Vision, INC, Laguna Hills, California.